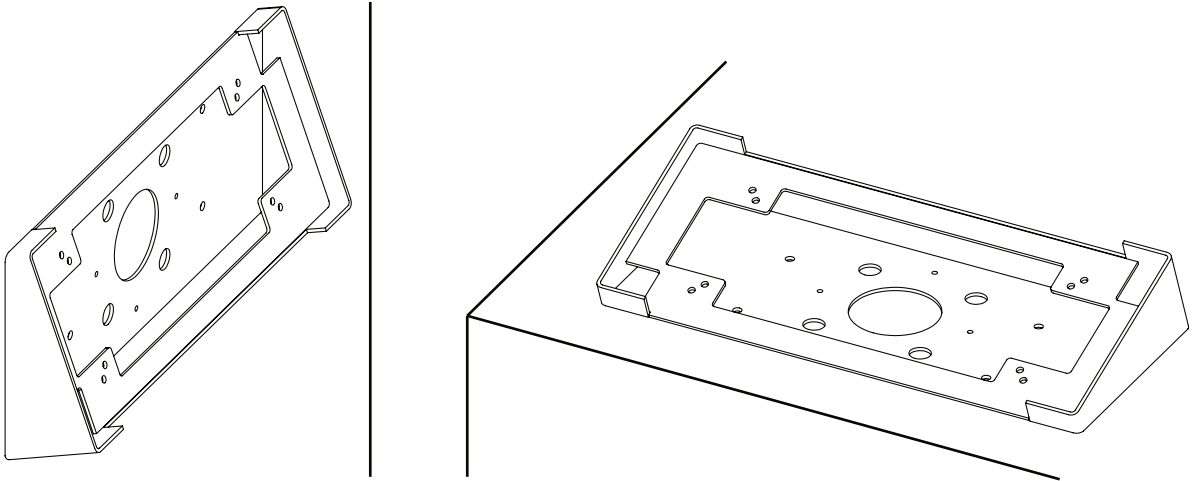


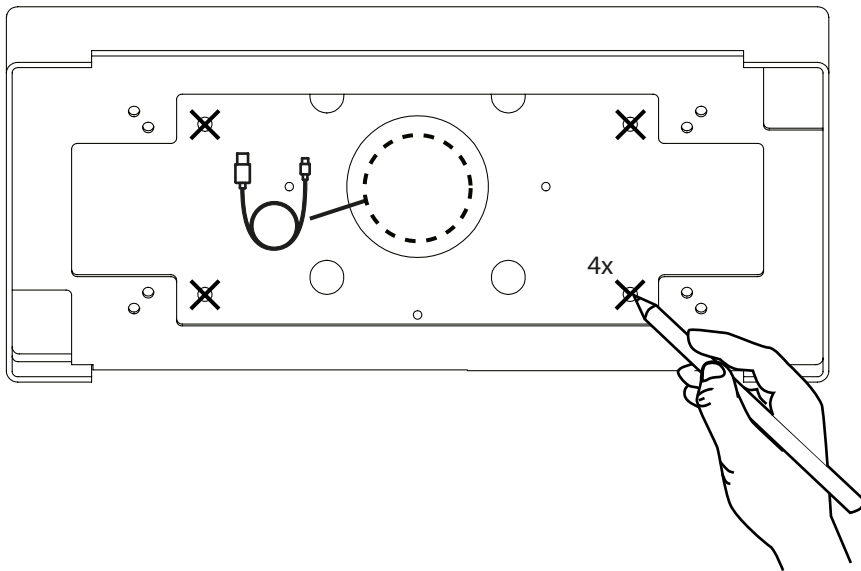
# sWedge 20



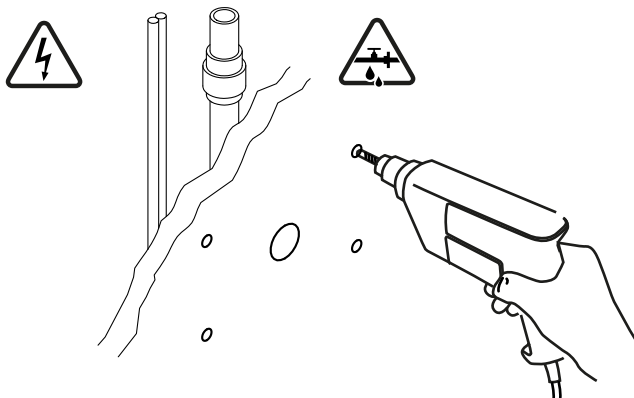
**1.** Place your sWedge on a wall or desk.



**2.** Mark holes for mounting and inwall charging cable.

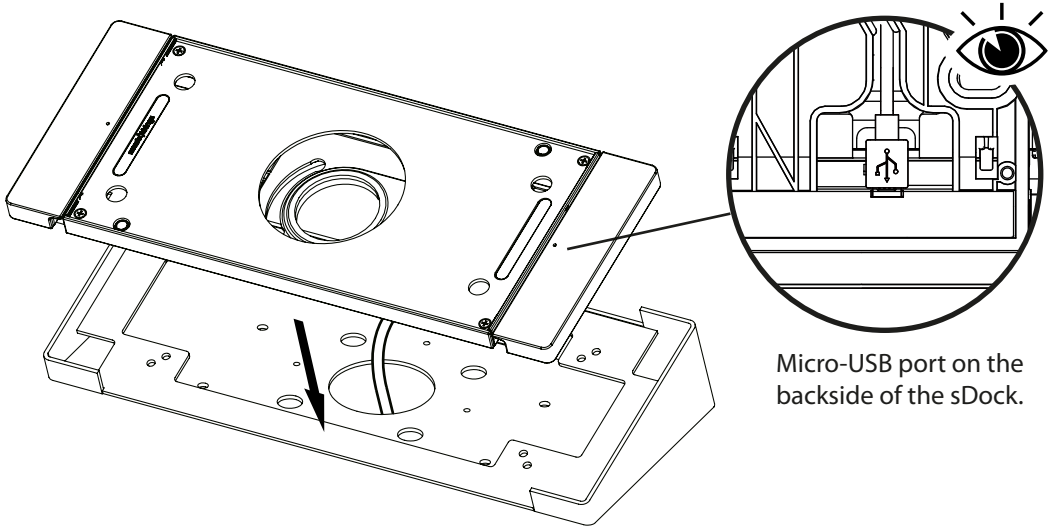


**3.** Be careful with inwall electric cables and water pipes before drilling!

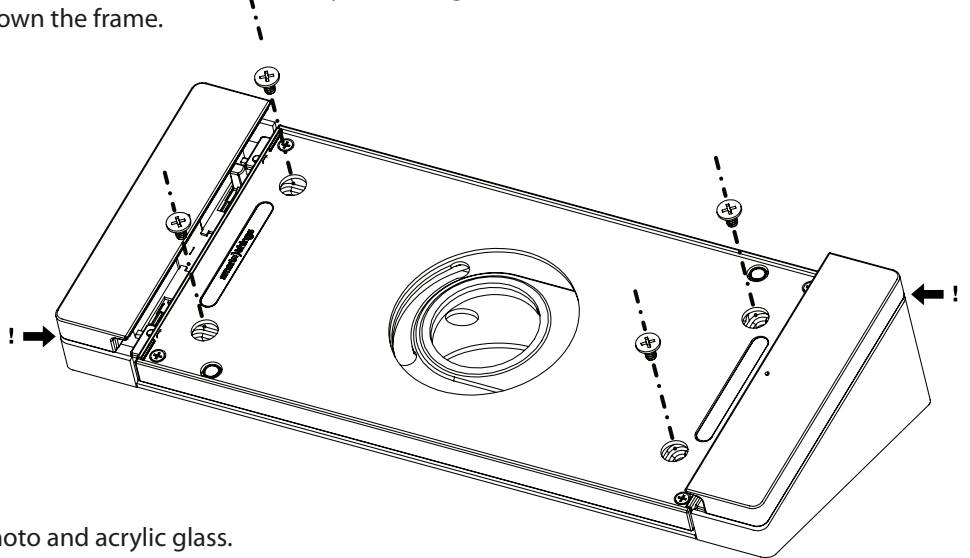


4. Screw the sWedge on your wall or desk.

5. After removing acrylic glass and photo from the sDock, connect it with the Micro-USB charging cable and place it over the sWedge.



6. Use included screws to fasten the sDock on your sWedge by pressing down the frame.



7. Insert your photo and acrylic glass.

Ready! ✓

