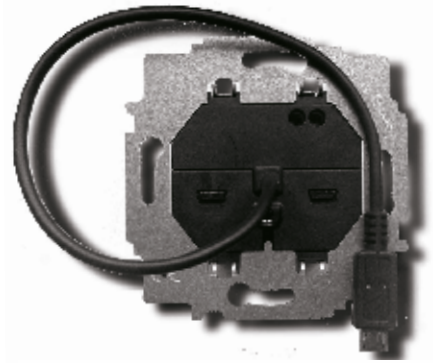


s17

Fact sheet

sCharge 8pin

Inwall power supply
for iOS devices



Product name sCharge 8pin
Short name s17
EAN code 4260258610178
Manuf. part no. sCh-7W-8pin-1.0

Description Inwall power supply 7W for sDock Fix.
Fixed USB micro cable plus 8pin lightning adapter cable.
Nominal input: 100 - 240 V~, ±10 %, 50 - 60 Hz,
Nominal output: 5 V-, +5 % / -5 %, 1400mA

Market Entry May 2017

Compatible to all sDock Fix. Fits in standard wallboxes.
Please check our website for more information.

Approvals CE approved: Low Voltage Directive 2006/95/EC, EMC Directive
2004/108/EC
and the eco design Directive 2009/125/EC.

Low Voltage Directive
EN 60950-1 (01/2011), EN 60335-1 (11/2010), EN 61558-1 (07/2006)

EMC Directive
EN 61000-6-3 (09/2007), EN 61000-4-4 (11/2010), EN 61000-4-3 (04/2011),
EN 55014-2 (08/2002), EN 61000-4-5 (06/2007), EN 61000-4-11 (02/2005),
EN 55022 (05/2008), EN 61000-4-2 (12/2009), EN 55024 (10/2003), EN
61000-6-2 (03/2006), EN 61000-4-6 (12/2009), EN 55014-1 (06/2007), EN
55011 (11/2007)

ECO Design (Öko Design), Step 2

Contains

- sCharge with fixed USB micro cable, 24 cm long
- USB micro -> 8pin lightning cable, 50 cm long
- User manual /instruction sheet
- Adapter plate , only for British Standard version

**Materials/
Environment** Metal mounting frame, plastics.
RoHS compliant, WEEE registration: FWGB

**Dimensions
Weight** 71x 71x 33 mm (HxWxD),
75g (only sCharge), 110g incl. mounting material and packaging

Packaging sCharge single box: 91x 77x 58mm, 110 g
Master pack 10: 328 x 216 x 95 mm, 1,3 kg
Packaging made of cardboard.

Customs tariff no. 8504408290
Country of origin Germany

s17

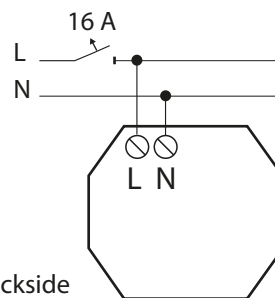
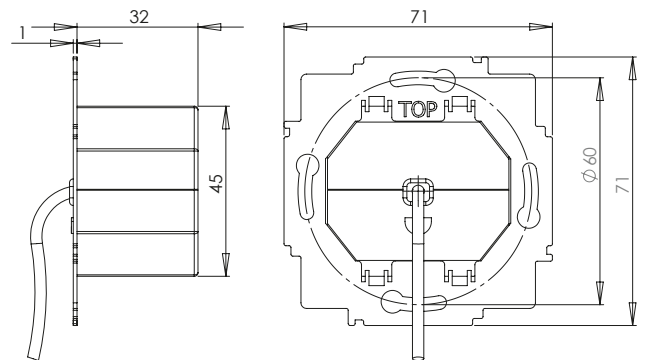
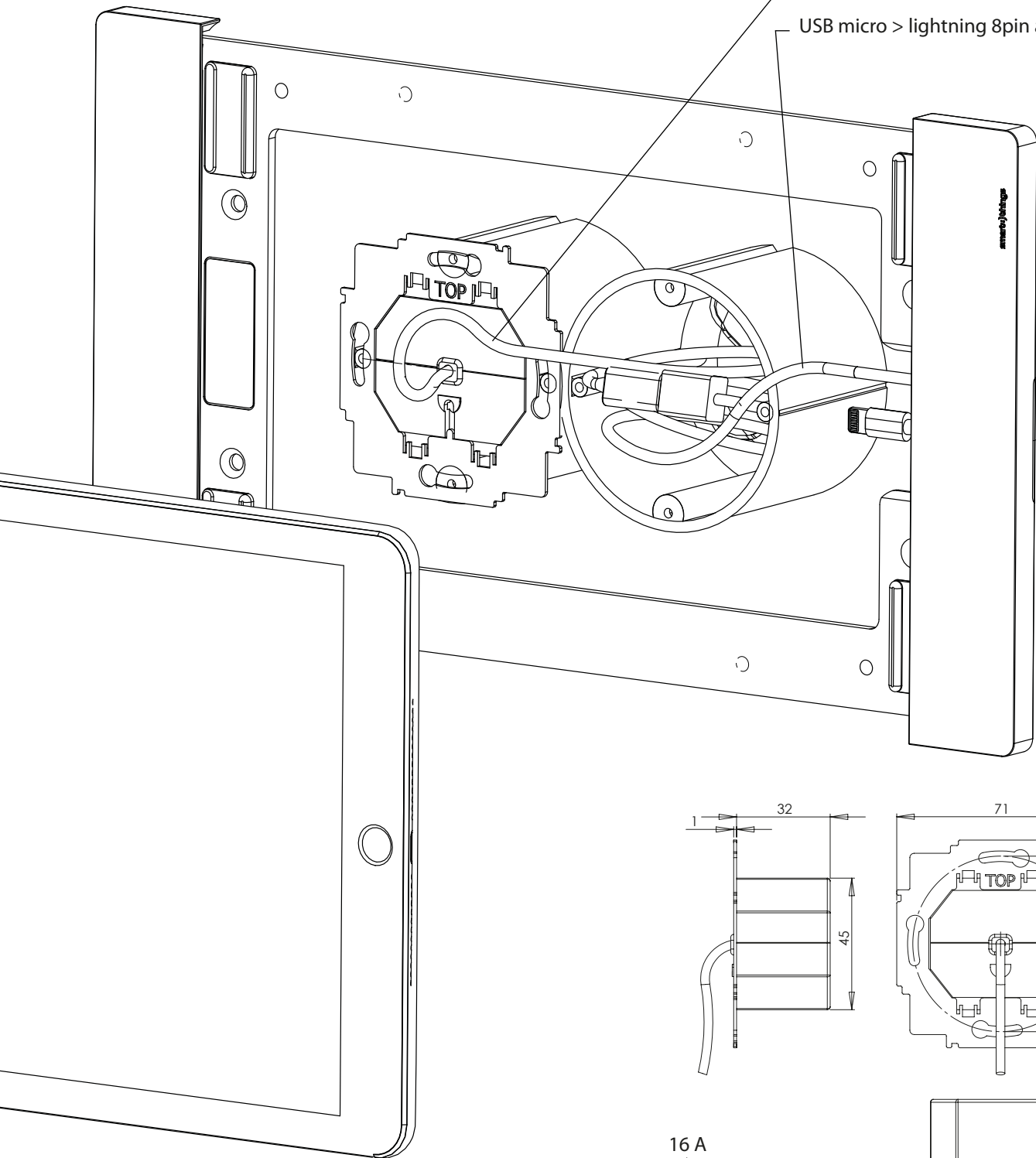
Installation

sCharge 8pin

Inwall power supply for iOS devices, e.g. sDock Fix

USB micro cable, fixed at the charger

USB micro > lightning 8pin adapter cable



backside

