

s06

Fact sheet

upgrade Kit Air

with Lightning Connector



Product name upgradeKit Air
Short name s06
EAN / UPC 4260258610062
Manuf. part no. up-s06

Description With the upgrade kit it is easily possible to convert a sDock pro (30-pin) into a sDock Air (Lightning). The result is absolutely identical to a fresh sDock Air.

Market Entry October 2013

Compatible sDock pro, sDock pro 2

Approvals

- Apple MFI certified for iPad Air, iPad 4 und iPad mini, iPhone 5
- TÜV type approved (IEC 60950, EMC)
- CE approved

Content

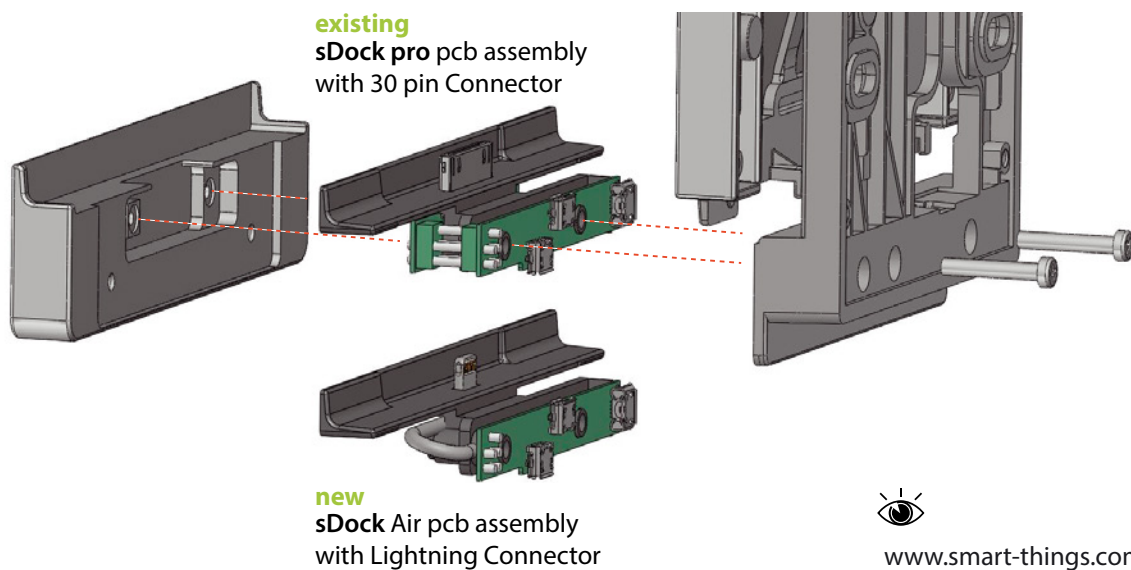
- pcb assembly for sDock Air
- product label with serial number
- installation manual

Materials/ Environment high-quality partly reinforced plastics.
RoHS compliant. WEEE not applicable.

Dimensions/ Weight 120 x 24 x 24 mm (HxWxD),

Packaging upgrade Box: 145 x 94 x 30 mm, 50g
Packaging made of cardboard.

Customs tariff no. 8473 3080
Country of origin China



www.smart-things.com/videos/upgrade-lightning.mp4

smart:things

smart things solutions GmbH
Clarita-Bernhard-Str. 18
81249 München, Germany
www.smart-things.com